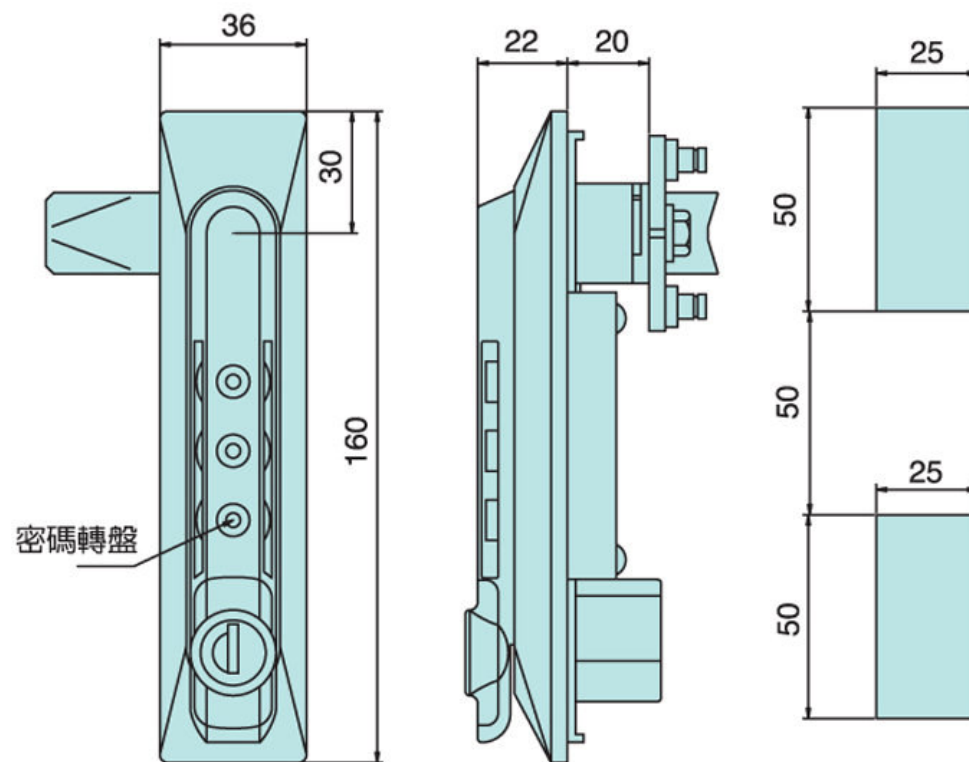


## Lipson Product Technical Document

### LMS-200 Combination Latch



### Size Specification



**Material :** Nylon 66

**Finish :** Black

**Feature :** LMS-200 combination latch can set 3 sets of security number.

**Application:** Communication cubicle, control panel, cabinet door, machinery equipment.