

Lipson Product Technical Document

LMS-737-1-B Handle (tubular type)



Material: Square Tube - Aluminum (AL)

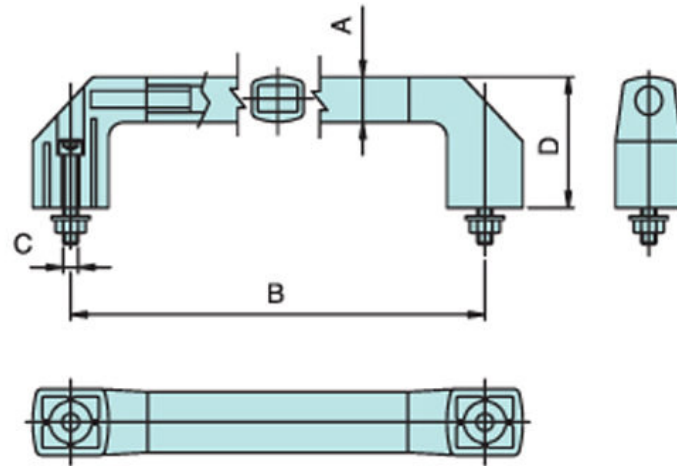
Holder Seat: Nylon and glass fiber (KT) / Black

Bolt: Steel / Dyed Black

Finish: Matt silver, Anodized, Natural, Black, Red, Orange, Blue, Yellow total 8 colors.

Application: Cabinet door, machinery equipment.

Size Specification



Item No.	A	B	C	D
LMS-737-1-B-180	24*27	180	M8	69
-200		200		
-250		250		
-300		300		
-350		350		
-400		400		
-500		500		
-600		600		
-700		700		

Unit : mm